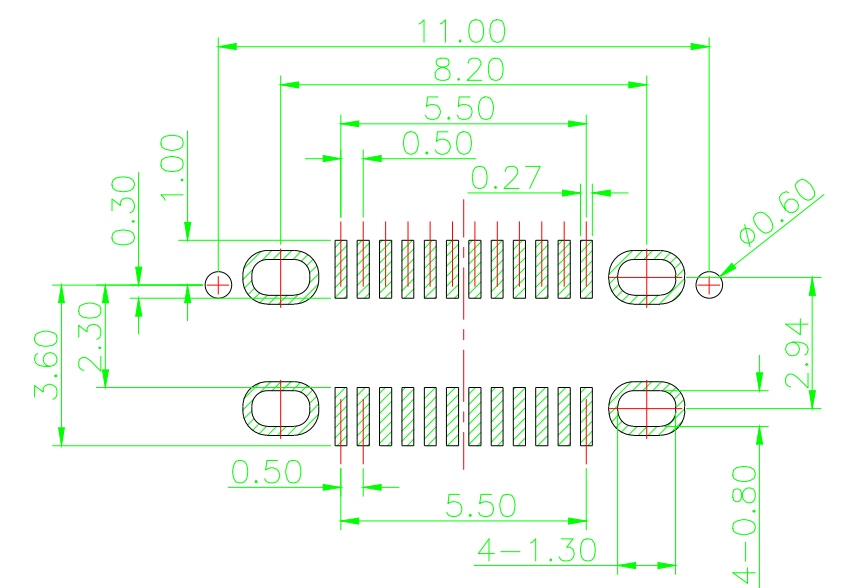
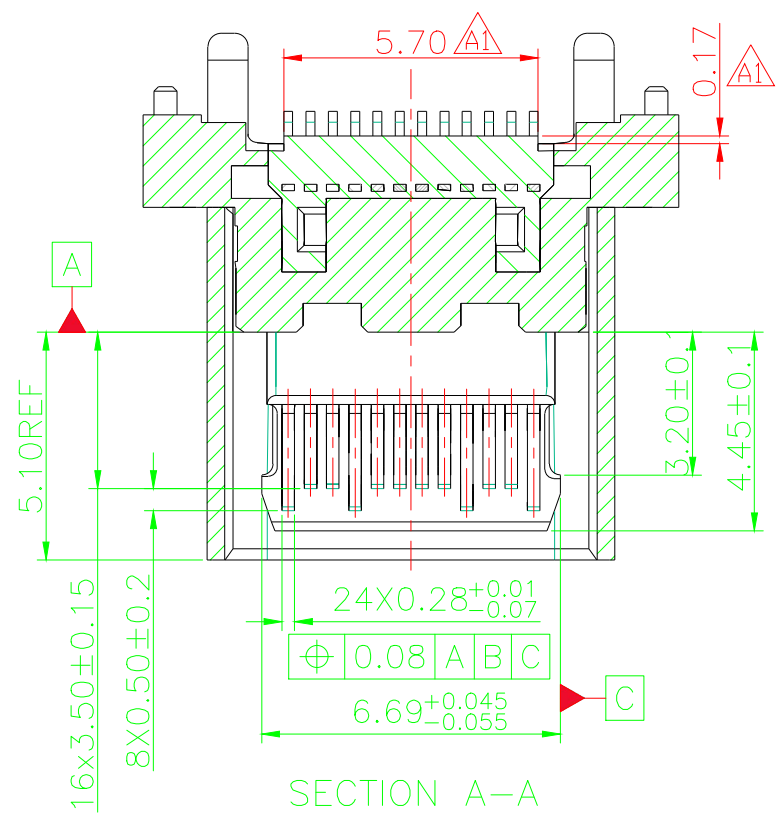
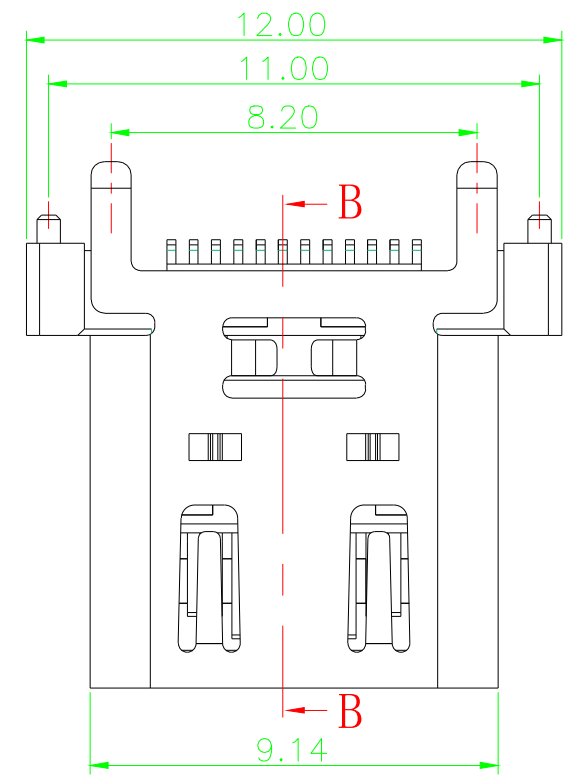
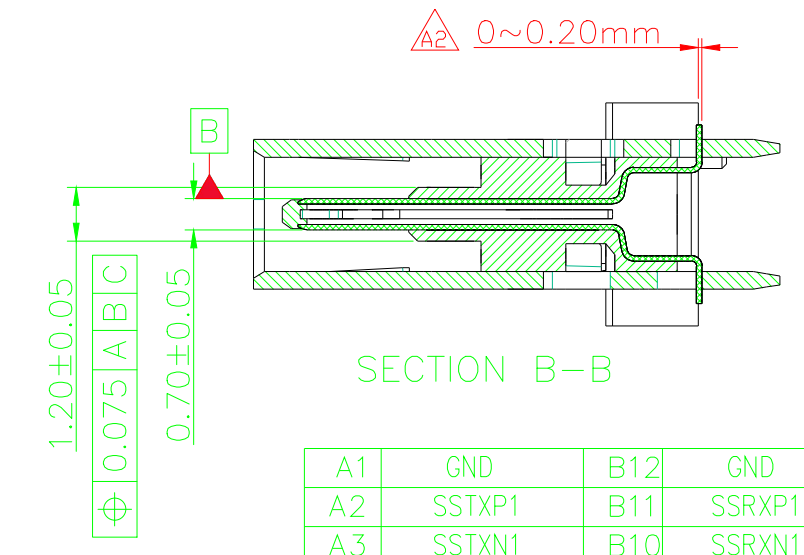
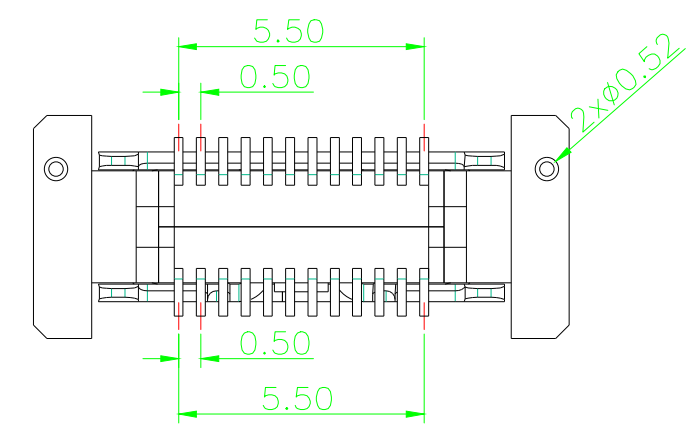
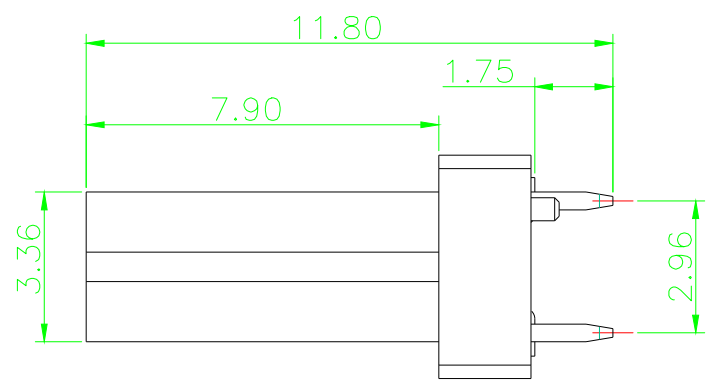
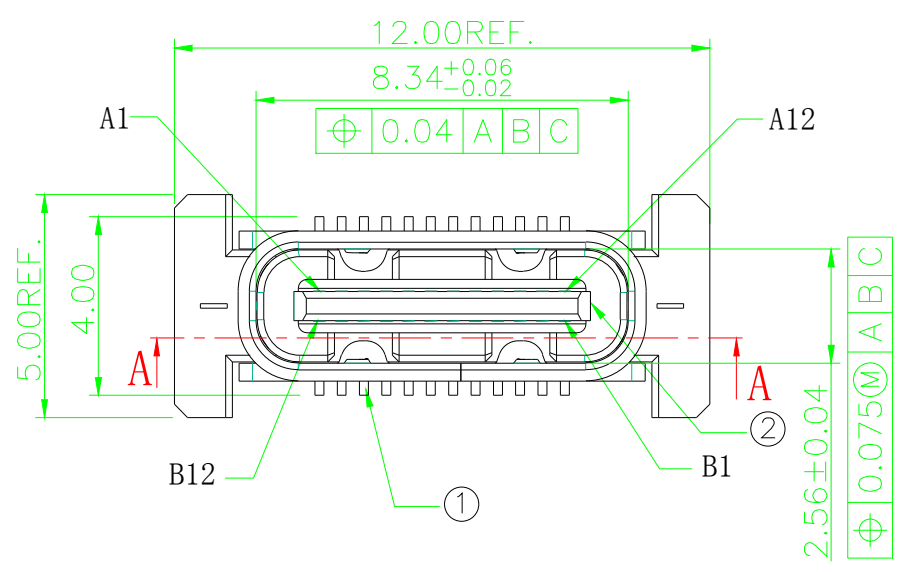


REV	ECN No.	DATE	REMARK
A0	NEW	2017.03.21	NEW RELEASE
A1	ECN1706005	2017.06.08	底部加胶0.15
A2	ECN1707018	2017.07.24	端子SMT面增加0~0.2mm尺寸管控



- NOTES:
SPECIFICATION:
- CURRENT RATING: 5.0A MAX
 - Withstanding Voltage: 100V AC
 - TEMPERATURE RANGE: -30 °C ~ 85 °C
 - CONTACT RESISTANCE: 40 MILLIONHM MAX
 - INSULATION RESISTANCE: 100 MEGOHMS
 - INSERTION FORCE : 5N~20N
 - UNMATING FORCE: 8N~20N (1~1000次)
6N~20N (10000次之后)
 - DURABILITY: 10,000 CYCLES



A1	GND	B12	GND
A2	SSTXP1	B11	SSRXP1
A3	SSTXN1	B10	SSRXN1
A4	VBUS	B9	VBUS
A5	CC1	B8	SBU2
A6	DP1	B7	DN2
A7	DN1	B6	DP2
A8	SBU1	B5	CC2
A9	VBUS	B4	VBUS
A10	SSRXN2	B3	SSTXN2
A11	SSRXP2	B2	SSTXP2
A12	GND	B1	GND
PIN	SIGNAL NAME	PIN	SIGNAL NAME

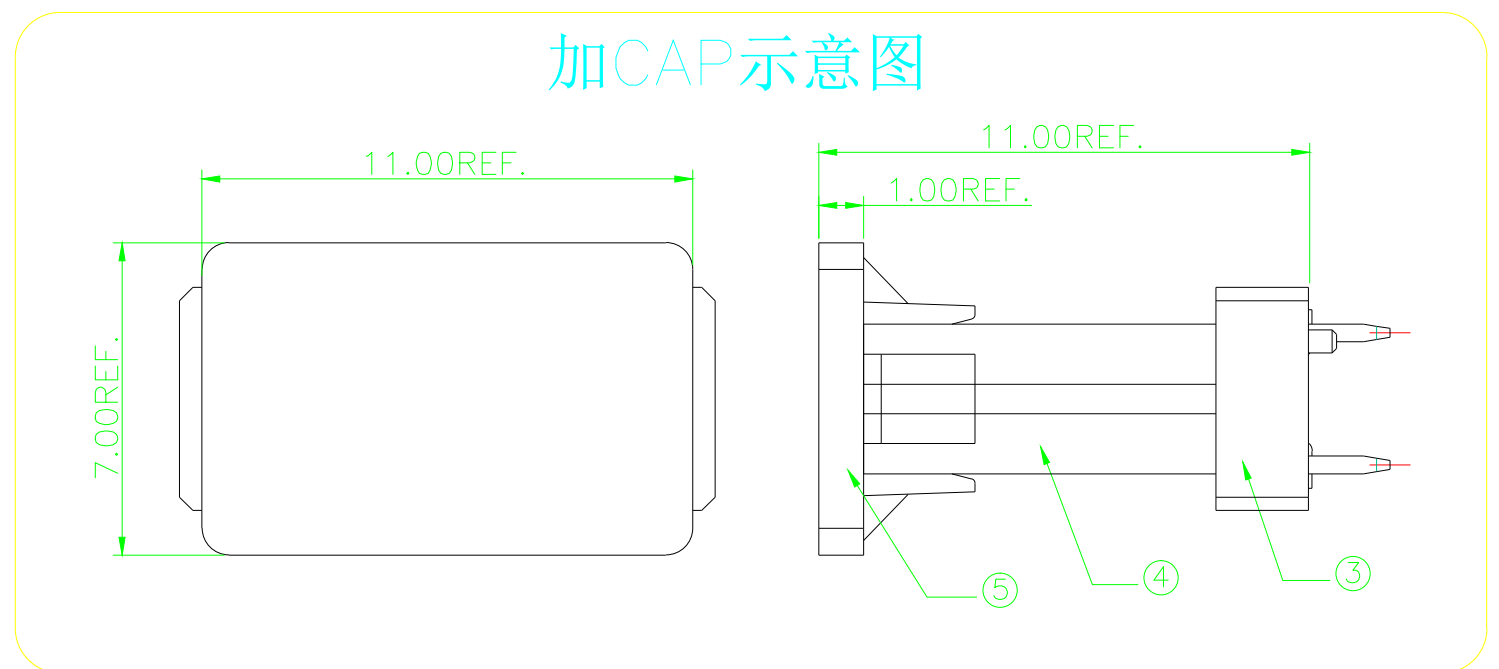


TABLE:

NO.	PART NO.	NO.	DESCRIPTION	MATERIAL	REMARKS	QTY	盐雾	PACKAGING
2	Z-CF036SLB15R-C-01	2	CONTACT	C18140 T=0.12mm	Au 3u" PLATING ON CONTACT AREA; TIN 80u" Min TING ON SOLDER TAIL; NI 50u" Min UNDERPLATING OVERALL	1SET		
1	Z-CF036SLB12R-C-01	5	CAP	LCP 6007AS UL94V-0	BLACK	1PCS		
		4	SHELL	SUS304 T=0.40mm	Ni 50u" Min Plated	1PCS		
		3	LATCH	SUS301 T=0.20mm	NO PLATED	1PCS	48H	Reel
		2	CONTACT	C18140 T=0.12mm	Au 30u" PLATING ON CONTACT AREA; TIN 80u" Min TING ON SOLDER TAIL; NI 50u" Min UNDERPLATING OVERALL	1SET		
		1	HOUSING	LCP S475 UL94V-0	BLACK	1PCS		

X. ±0.50	X.° ± 2°	UNITS	深圳市创粤科技有限公司		
.X ±0.30	.X° ± 1°	mm			
.XX ±0.10	.XX° ± 0.5°	MAT'L	TITLE: TYPE C 24PIN 立式贴片10.0 带弹片		
.XXX ± 0.05					
THESE DRAWINGS AND SPECIFICATIONS ARE THE PROPERTY OF CHUANGYUE TECHNOLOGY CO.,LTD. AND SHALL NOT BE REPRODUCED, COPIED OR USED IN ANY MANNER WITHOUT THE PRIOR WRITTEN CONSENT OF CHUANGYUE TECHNOLOGY CO., LTD.			FINISH	APPD: 陈俊杰	DWG NO: CY-ZTF5-24PC-100
			Q'TY	CHKD: 陈志南	SCALE SHEET REV. 1/1 1/1 A1
				DR: 林德成	