

NOTE:

- Electrical Characteristics:
 - Current Rating: 5A For Pin(A4,A9,B4,B9)
1.25A For Others Pin
 - Insulation Resistance: 100MΩ Min.
 - Contact Resistance: 40 mΩ Max.
 - Dielectric Withstanding Voltage:100V/AC 1Minute
- Mechanical Characteristics:
 - Insertion Force: 5~20N
 - Extraction Force: Initial: 8~20N
After durability: 6~20N
 - Durability :10000 Cycles
- Salt Spray :24H
- Operating Temperature: -30°C TO +85°C

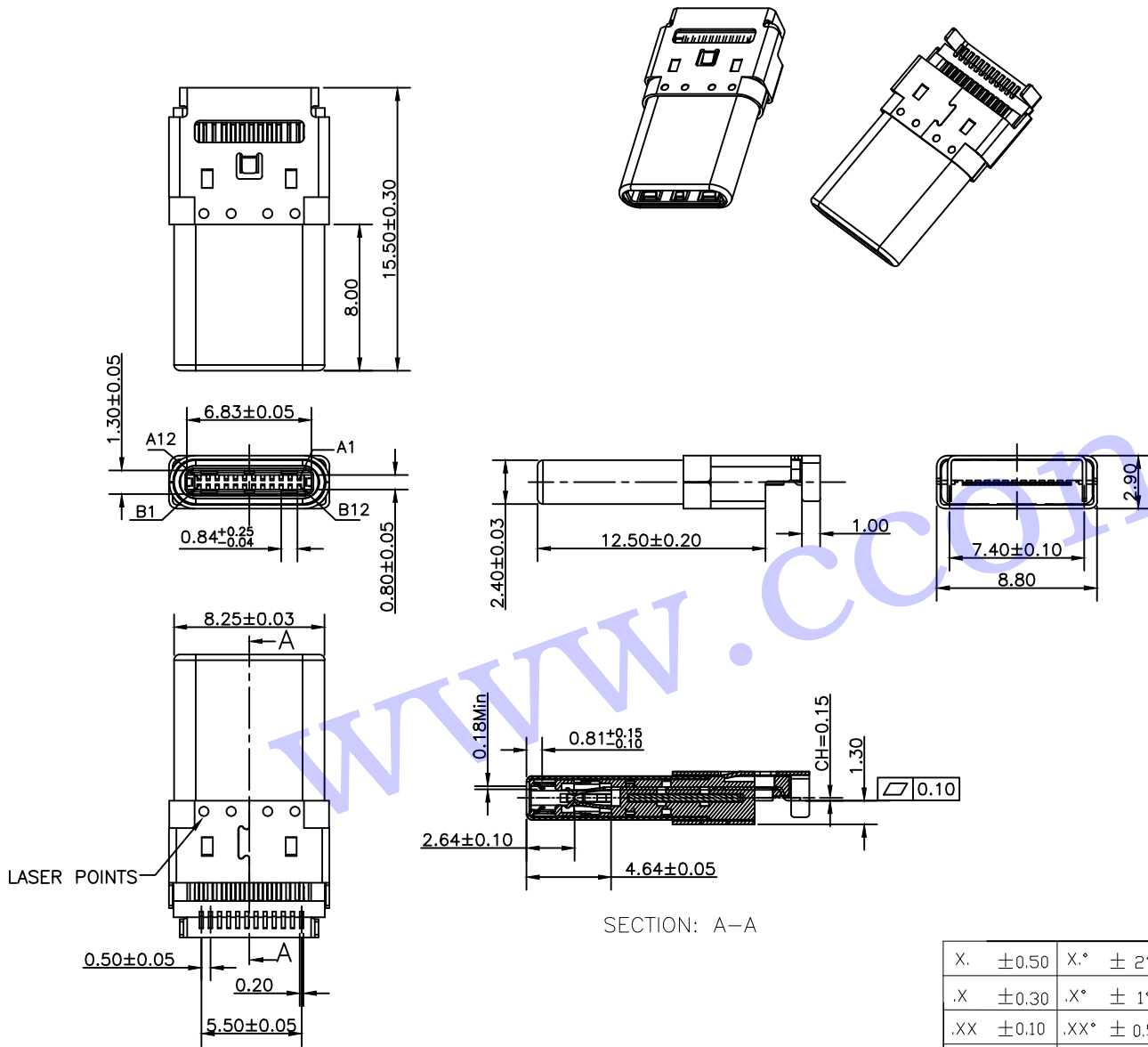
PART NUMBER CODE:

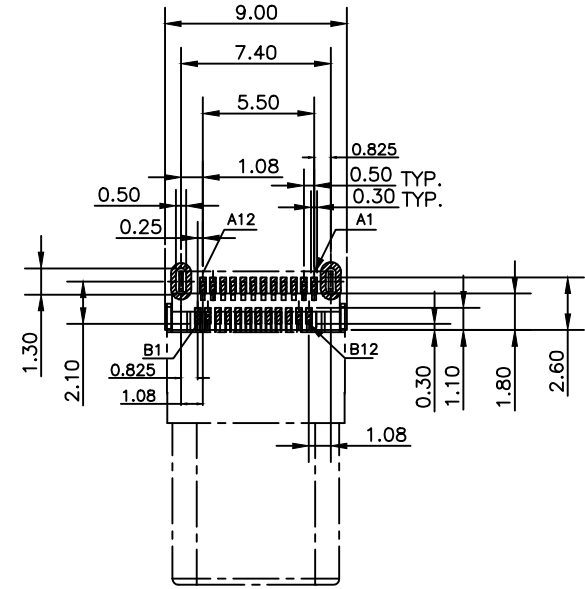
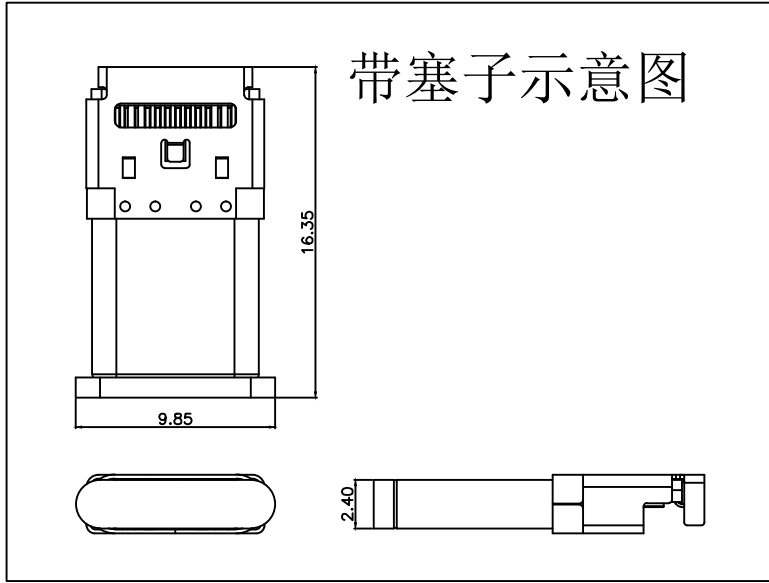
CM073 - 24 L X XX R X - 68
 ① ② ③

- ① HOUSING: B:BLACK
 ② CONTACTS PLATED: 01= 1u" gold plated on Contact area, Matte Tin plated on Solderails, Nickel underplating over all
 ③ HOUSING: 无:不带塞子 C:带塞子(常用料)

⑥	Shield	1	Stainless Steel	Bright Nickel Plating
⑤	Housing	4	LCP	Color: Black
④	Latch	1	Stainless Steel	
③	Contact	24	Copper Alloy	3u" gold plated on Contact area, Matte Tin plated on Solderails, Nickel underplating over all
②	Emc Spring	2	Stainless Steel	
①	Shell	1	Stainless Steel	Bright Nickel Plating
ITEM	NAME	QTY.	MATERIAL	DESCRIPTION

X. ±0.50	X.° ± 2°	UNITS mm	深圳市创粤科技有限公司 TITLE: TYPE C 24PIN 沉板1.3公头 双贴 L15.5mm		
.X ±0.30	.X° ± 1°				
.XX ±0.10	.XX° ± 0.5°	MAT'L	APPD:	陈俊杰	DWG NO: CY-ZTM-424P-155
.XXX ± 0.05			CHKD:	陈志南	
THESE DRAWINGS AND SPECIFICATIONS ARE THE PROPERTY OF CHUANGYUE TECHNOLOGY CO.,LTD. AND SHALL NOT BE REPRODUCED, COPIED OR USED IN ANY MANNER WITHOUT THE PRIOR WRITTEN CONSENT OF CHUANGYUE TECHNOLOGY CO., LTD		FINISH	DR:	林德成	 SCALE SHEET REV. 1/1 1/1 A1
		Q'TY			





RECOMMENDED P.C.B. LAYOUT
T=0.80 OR 1.00mm
TOLERANCE UNSPECIFIED ±0.05mm

USB TYPE-C FULL-FEATURED RECEPTACLE INTERFACE PIN ASSIGNMENTS

PIN	Signal Name	Description	PIN	Signal Name	Description
A1	GND	Ground return	B12	GND	Ground return
A2	SSTXp1	Positive half of first SuperSpeed TX differential pair	B11	SSRXp1	Positive half of first SuperSpeed RX differential pair
A3	SSTXn1	Negative half of first SuperSpeed TX differential pair	B10	SSRXn1	Negative half of first SuperSpeed RX differential pair
A4	Vbus	Bus Power	B9	VBUS	Bus Power
A5	CC1	Configuration Channel	B8	SBU2	Sideband Use(SBU)
A6	Dp1	Positive half of the USB 2.0 differential pair-Position 1	B7	Dn2	Negative half of the USB 2.0 differential pair-Position 2
A7	Dn1	Negative half of the USB 2.0 differential pair-Position 1	B6	Dp2	Positive half of the USB 2.0 differential pair-Position 2
A8	SBU1	Sideband Use(SBU)	B5	CC2	Configuration Channel
A9	VBUS	Bus Power	B4	VBUS	Bus Power
A10	SSRXn2	Negative half of second SuperSpeed RX differential pair	B3	SSTXn2	Negative half of second SuperSpeed TX differential pair
A11	SSRXp2	Positive half of second SuperSpeed RX differential pair	B2	SSTXp2	Positive half of second SuperSpeed TX differential pair
A12	GND	Ground return	B1	GND	Ground return

X. ±0.50	X.° ± 2°	UNITS mm	深圳市创粤科技有限公司						
.X ±0.30	.X° ± 1°								
.XX ±0.10	.XX° ± 0.5°	MAT'L /	TITLE: TYPE C 24PIN 沉板1.3公头 双贴 L15.5mm						
.XXX ± 0.05									
THESE DRAWINGS AND SPECIFICATIONS ARE THE PROPERTY OF CHUANGYUE TECHNOLOGY CO.,LTD. AND SHALL NOT BE REPRODUCED, COPIED OR USED IN ANY MANNER WITHOUT THE PRIOR WRITTEN CONSENT OF CHUANGYUE TECHNOLOGY CO., LTD		FINISH /	APPD: 陈俊杰	DWG NO: CY-ZTM-424P-155					
		Q'TY /	CHKD: 陈志南	<table border="1"> <tr> <td>SCALE</td> <td>SHEET</td> <td>REV.</td> </tr> <tr> <td>1/1</td> <td>1/1</td> <td>A1</td> </tr> </table>		SCALE	SHEET	REV.	1/1
SCALE	SHEET	REV.							
1/1	1/1	A1							
			DR: 林德成						