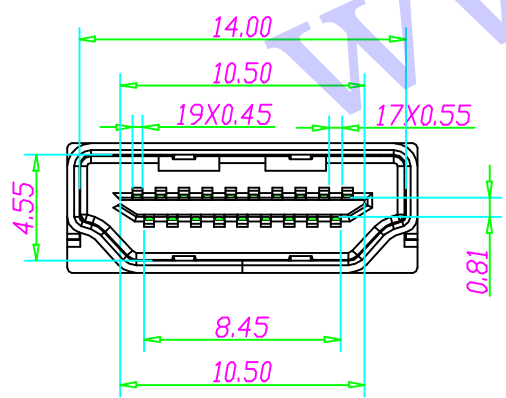


插PCB图



NOTE :

1. SPECIFICATION:
 - 1.1. CURRENT RATING: 0.5 Amp Max.
 - 1.2. VOLTAGE RATING: 40 V ac(r.m.s) Max.
 - 1.3. CONTACT RESISTANCE: 10m ohms Max.mated
 - 1.4. INSULATION RESISTANCE: 100M ohms Min.
 - 1.5. DIELECTRIC WITHSTANDING VOLTAGE:
 - AC 500V Min. (for 1 minute)
 - 1.6. OPERATION TEMPERATURE RANGE: -25°C~85°C
2. MECHANICAL
 - 2.1 INSERTION FORCE: 4.5KGF MAXMUM
 - 2.1 WITHDRAWAL FORCE: 1.0KGF MINIMUM; 4.0KGF MAXMUM

X. ±0.50	X° ±2°	UNITS mm	深圳市创粤科技有限公司			
.X ±0.30	.X° ± 1°					
.XX ±0.10	.XX° ± 0.5°	MAT'L /	TITLE: HDMI 19PIN A TYPE 夹板1.6MM 母座			
.XXX ± 0.05						
THESE DRAWINGS AND SPECIFICATIONS ARE THE PROPERTY OF CHUANGYUE TECHNOLOGY CO.,LTD. AND SHALL NOT BE REPRODUCED, COPIED OR USED IN ANY MANNER WITHOUT THE PRIOR WRITTEN CONSENT OF CHUANGYUE TECHNOLOGY CO., LTD		FINISH /	APPD:	DWG NO.:		
		Q'TY /	CHKD:	CY-YHF-19PE-160		
			DR: Steven.Xie 2018/10/07	SCALE	SHEET	REV.
				1/1	1/1	A1